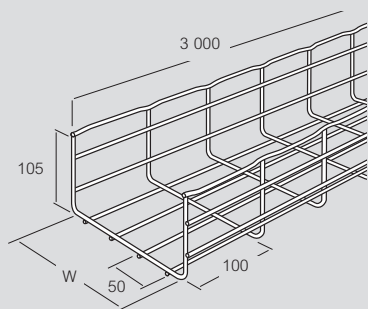


straight lengths - CF105

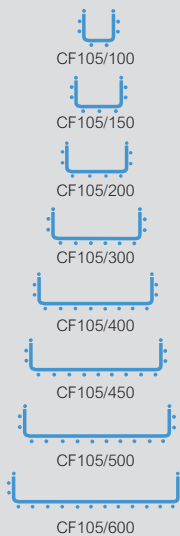
technical information

■ Dimensions and weights

105 mm 100 mm → 600 mm 3 m



Safety edge



	W mm	Weight (kg/3 m)			
		EZ	GC	304L	316L
CF105/100	100	4.07	4.23	3.50	3.50
CF105/150	150	5.23	5.43	3.97	3.97
CF105/200	200	6.13	6.37	5.14	5.14
CF105/300	300	9.15	9.51	7.92	7.92
CF105/400	400	10.42	10.83	9.06	9.06
CF105/450	450	11.25	11.40	9.45	9.45
CF105/500	500	11.69	12.15	9.63	9.63
CF105/600	600	12.96	13.46	10.20	10.20

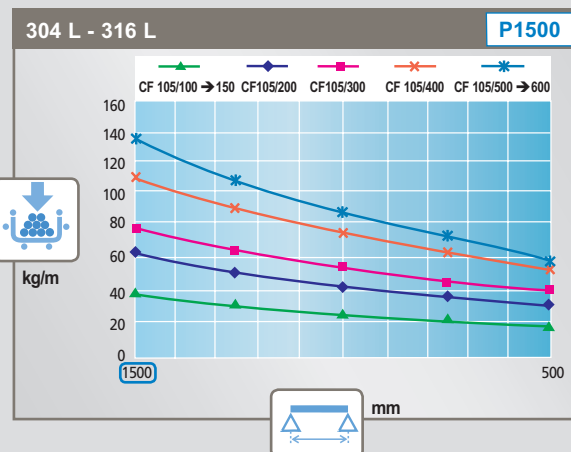
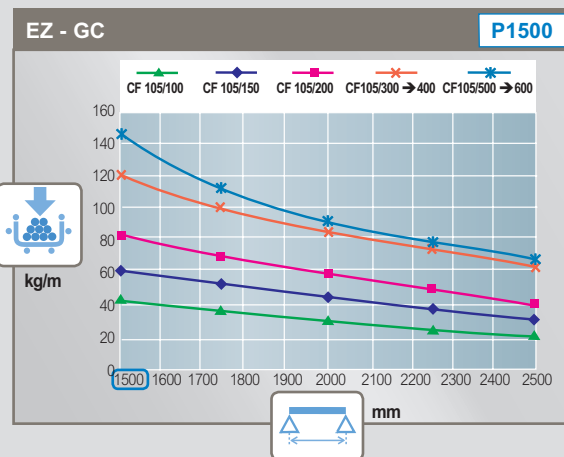
Please use Cat. No. when placing your order, see p. 13

All weights are given in Kilograms (kg) and are for a 3 m straight length

■ Loading graphs

The permissible load stated in this catalogue represents the load that Cablofil steel wire cable tray is guaranteed to be able to bear. It assumes loads are evenly spread and is given in daN/m. The standard permits a deflection equivalent to 1/100th of the span. Legrand imposes a stricter limit of 1/200th for both safety and aesthetic reasons. For example, Legrand voluntarily restricts deflection to 10 mm for a span of 2 m, whereas the standard would allow 20 mm

Load tests carried out to IEC 61537 (safety factor 1.7 + joint 1/5th of the way along the span). Permissible load should include all cable loads and any other additional loads (eg: wind, snow)



P1500 = supports at 1 500 mm, see p. 136 for more information

NOTE:

For more information on loadings, see p. 139

■ Finishes

Standard stocked finish :

EZ Electrogalvanised after manufacture

Additional finishes :

GC Hot dip galvanised after manufacture

304L Stainless steel 304 L

316L Stainless steel 316 L

For detailed information related to finishes, refer to p. 132-133

→ Couplers : see p. 59-67

→ Dividers : see p. 56-57

Sheared steel (particularly stainless steel) does have relatively sharp edges and protective gloves must be worn during handling

All dimensions (mm) are nominal